

ELECTROMAGNETIC PUMP

Function:

The electric conductor which is here a liquid metal is browse by an electric power, perpendicular to an external magnetic field. The conductor is submitted to a force which brings the liquid metal flow in a perpendicular direction of the field and the power.



Explanation of the phenomenon:

The powerful magnetic field, produced by the windings of multilayer coil all around the pipe and powers corresponding induce in the sodium propel it in a refractory pipe. Than, the metal fusion is propel according to the field's polarity.

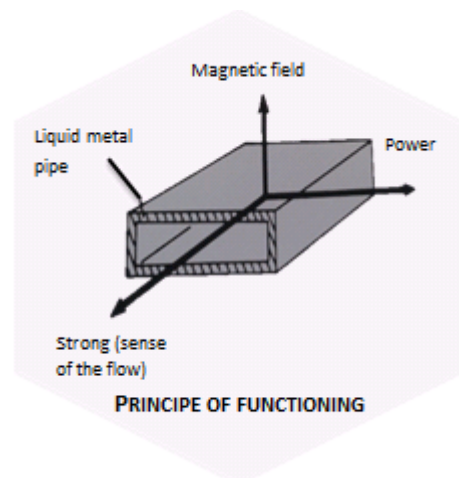
**The inversely of the electrical field reverse the flow's sense.*

**Increase or decrease of the power permits the flow's control.*

Description:

Electromagnetic pump is composed by different parts:

- A pipe;
- A magnetic circuit with a primary coil;
- A secondary transformer;
- A chassis supporting the whole above;
- An auxiliary transformer;
- A protection casing.



Benefits:

- No mobile organ;
- No or quiet maintenance;
- Constant flow to continuous process in operation;
- Sodium spills issue are limited;
- Safe & secured transfer.

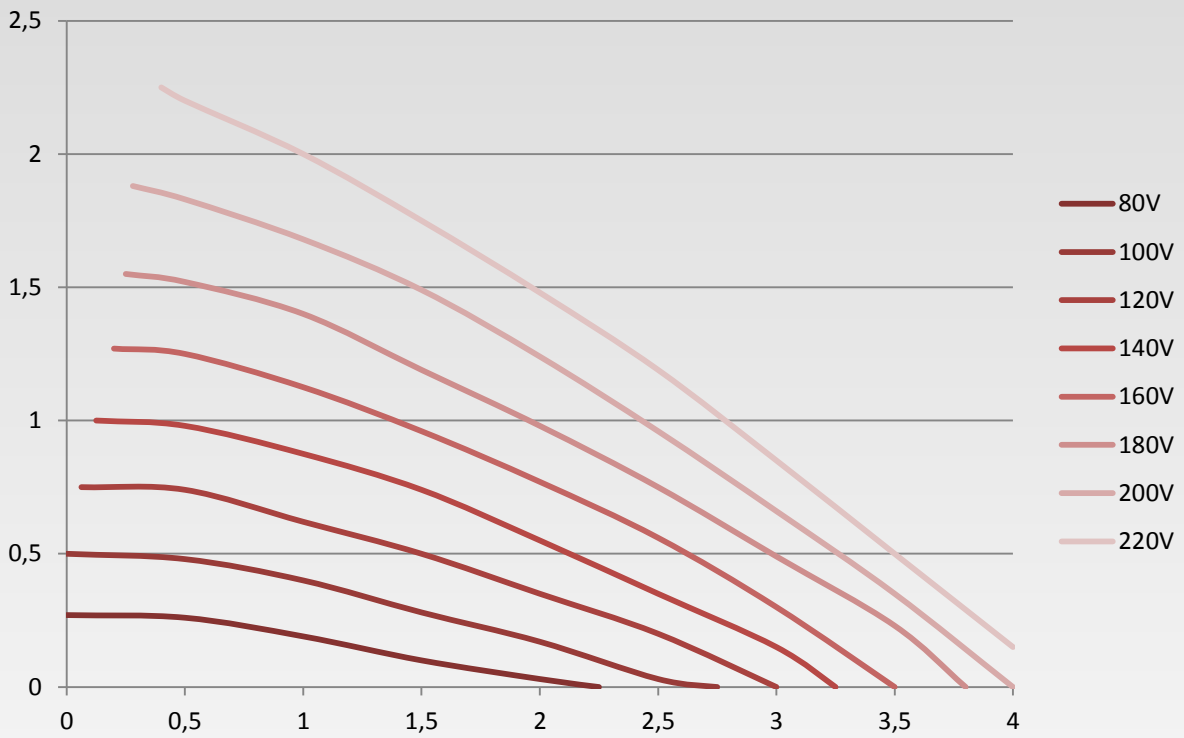


Contact Sodium Support

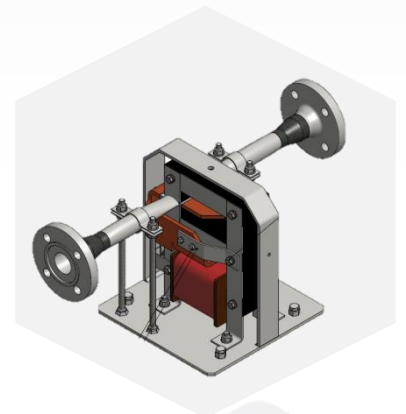
MSSA S.A.S.
111 rue de la Volta
Pomblière, St Marcel
France

Tel. +33 (0)4 79 24 70 70
Fax : +33 (0) 4 79 24 71 21

assistancetocustomer@metauxspeciaux.fr



Electromagnetic pump - Operating Curve



Contact Sodium Support

MSSA S.A.S.
111 rue de la Volta
Pomblière, St Marcel
France

Tel. +33 (0)4 79 24 70 70
Fax : +33 (0) 4 79 24 71 21

assistancetocustomer@metauxspeciaux.fr



Certificat N°1140 E